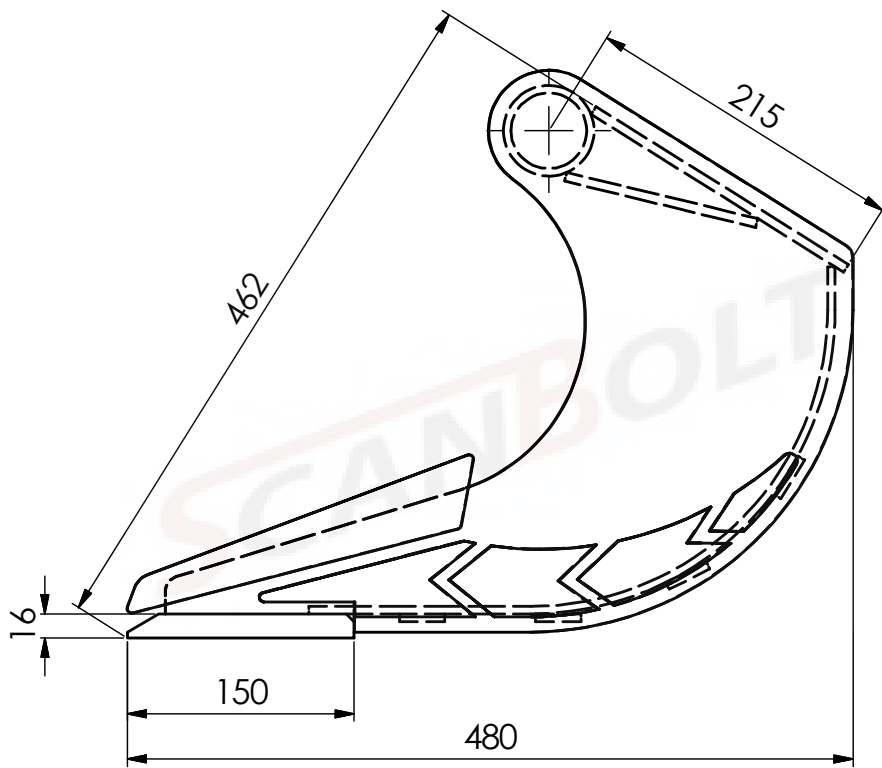
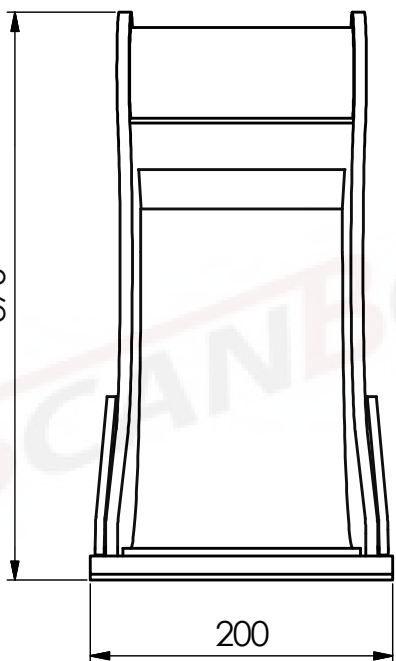
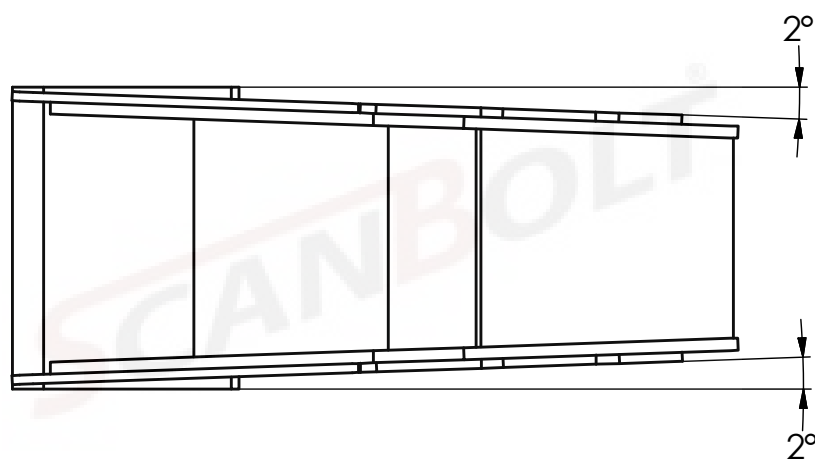
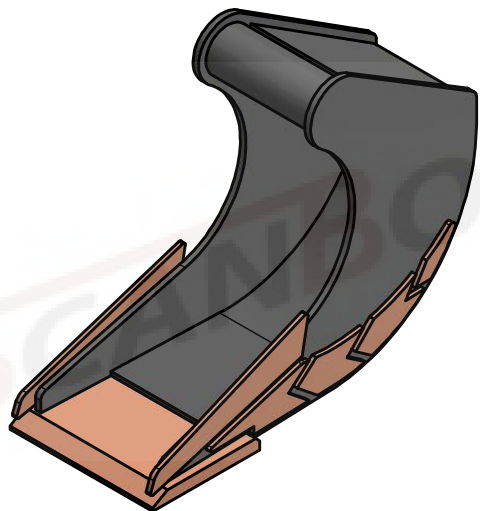


8 7 6 5 4 3 2 1



MATERIAL SPECIFICATION

ST52.3
EN8D
HB 400
HB 450
CASTALLOY STEEL



DESCRIPTION	20CM CLAY BUCKET
MACHINE CLASS	1.3 - 2.4 TON
WEIGHT	21.5 Kg
HEAPED CAPACITY	15.6 LITERS

8 7 6 5 4 3 2 1